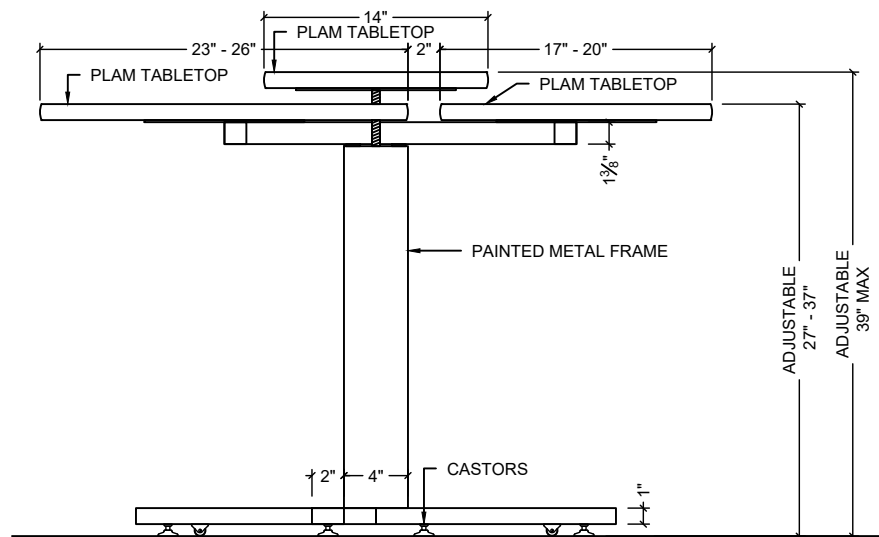


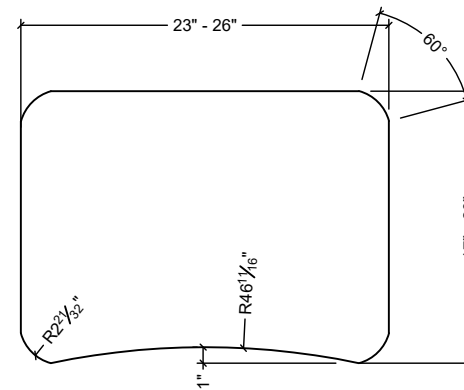
1 TERC-4 - PLAN  
1.1 SCALE: 1"=1'-0"



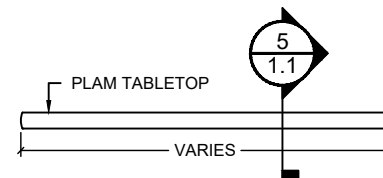
2 TERC-4 - ELEVATION  
1.1 SCALE: 1"=1'-0"

## TABLETOP PANEL DIMENSIONS

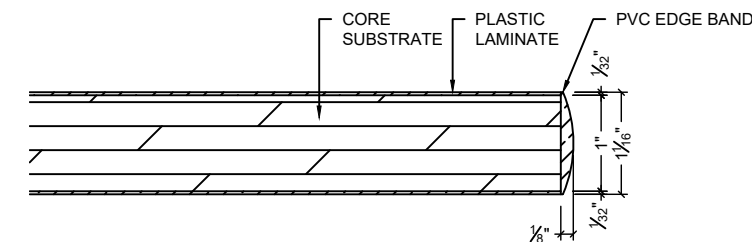
OVERALL DIMENSION	WIDTH	HEIGHT	RADIUS	CORNER RADIUS
42"	17"	23"	46-11/16"	60°
44"	18"	24"	51-5/8"	60°
46"	19"	25"	56-25/32"	60°
48"	20"	26"	62-7/32"	60°



3 TYP. TABLETOP PANEL - PLAN  
1.1 SCALE: 1"=1'-0"



4 TYP. TABLETOP PANEL - ELEVATION  
1.1 SCALE: 1"=1'-0"



5 TYP. TABLETOP PANEL - SECTION  
1.1 SCALE: 1"=1'-0"

### LEGENDS

#### FINISH SELECTIONS:

##### TABLE TOP:

- WALNUT
- MAPLE
- CHERRY
- BIRCH

##### EDGING:

- BEIGE
- BROWN
- BLACK
- WALNUT
- MAPLE
- CHERRY

##### FRAME:

- BLACK
- HAMMERED BLACK
- BROWN
- HAMMERED COPPER
- NICKEL

# 4-STATION, ERGONOMIC, ADJUSTABLE TABLE

DRAWING NAME

TERC-4

PROJECT #

-

DATE

12-17-2020

DRAWN BY

ArchiCGI

PAGE #

1.1